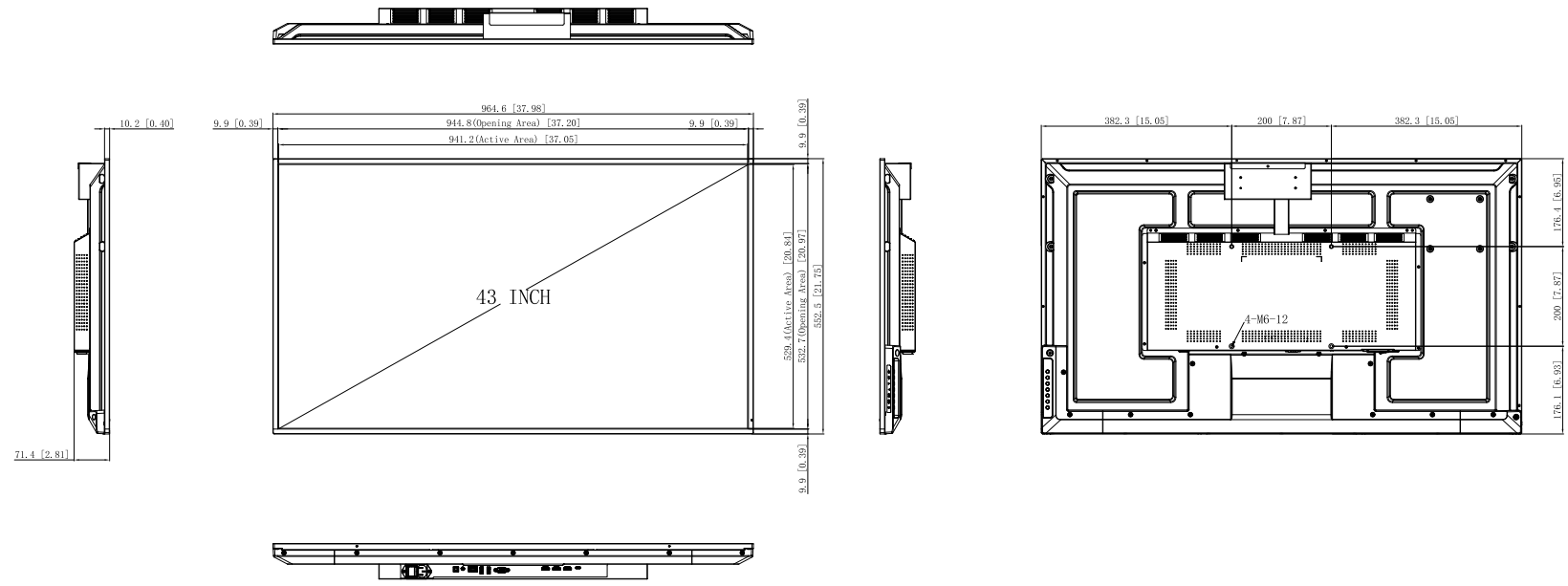


6	7	8		
Sign	VER	Date	Change Description	Designer
\	1.0	\	初版发行	\
△	\	\	\	\
△	\	\	\	\
△	\	\	\	\



TOLERANCES (Unless Otherwise Stated)	
尺寸范围	公差
≤63	±0.10
63 < x ≤ 160	±0.15
160 < x ≤ 400	±0.20
400 < x ≤ 1000	±0.25
> 1000	±0.3
Angle	±0.3°

本公司适用于钣金开模件

Third Projection

Project NO.	W43PNC-CS1382D-G	Unit	mm	NOTES
Part NO.	W43PNC-CS1382D-G-M099	Scale	1:1	
Part Name	六视图	Size	free	
Material	\	Pages	1/1	
Color NO.	\	APV		
Designer	\			