

# TR5

## FLAT SCREEN TROLLEY

FOR ONE 37"-60" SCREEN

TR5 is a universal video conference trolley. The lightweight and minimalist design of powder-coated steel and polished tubes makes it perfect for any interior such as offices, conference rooms and waiting rooms. Adjustable height and the possibility of tilting the screen make TR5 extremely functional. TR5 features a cable management system to hide cables and keep the aesthetic, smart appearance of the entire installation. Castors with a braking mechanism ensure mobility.

### FEATURES

- Simple and quick installation
- Aesthetic design of powder-coated steel and polished tubes
- Adjustable height
- Possible tilting
- Cable management for smart installation
- Includes 4 braked castors
- Possible change of screen adapter

### PRODUCT SPECIFICATIONS

Short index	TR5
Category	Flat Screen Trolleys Universal Series
Product group	Trolleys & Stands
Colour	Black
Warranty	Limited 5-years
Number of screens	1
Minimum screen size	37"
Maximum screen size	60"
Maximum load	80 kg
Forward tilting	-9°/+6°
VESA Mounting Compatibility	100x100 up to 600x400



Fully adjustable height



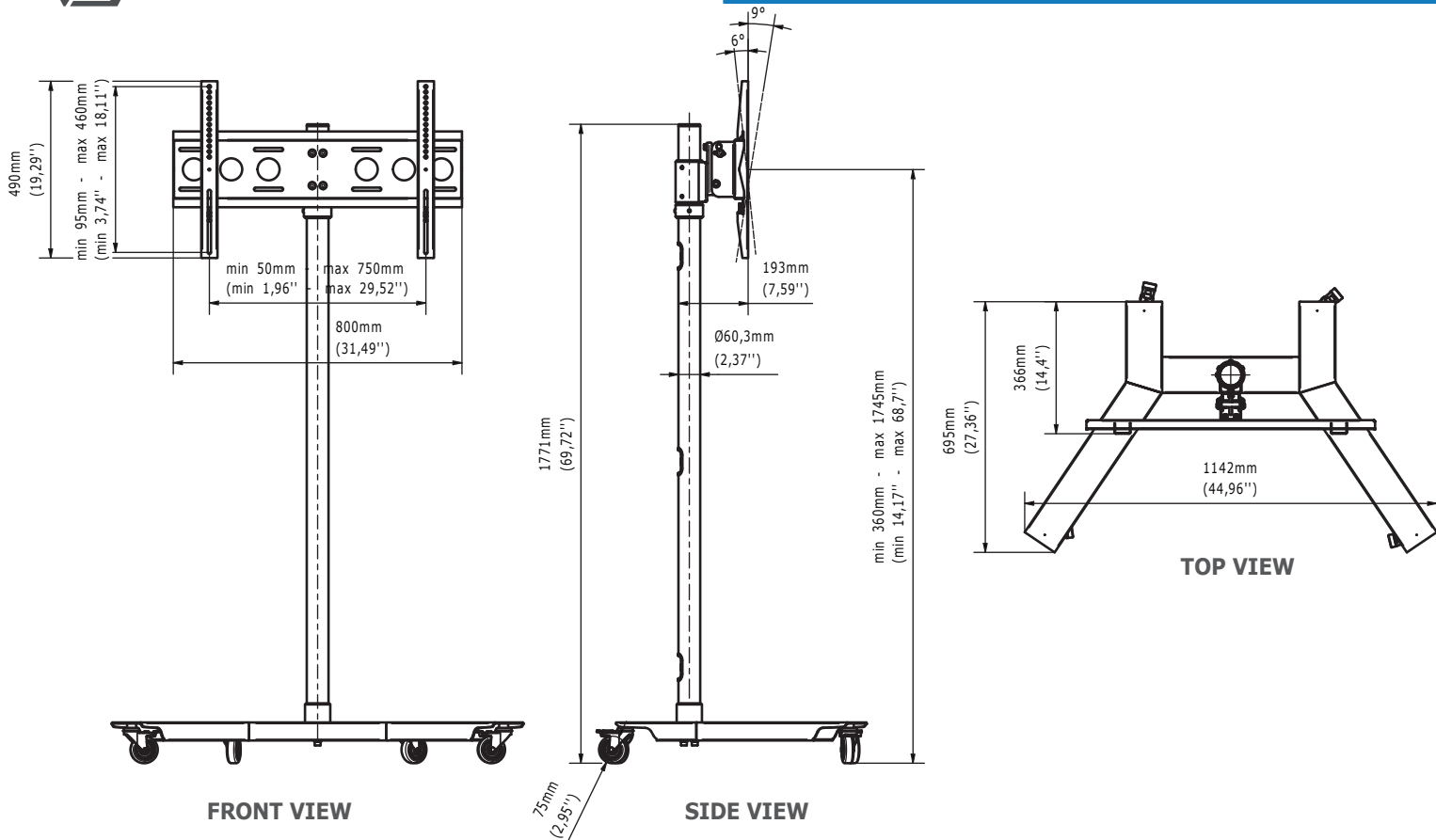
Possibility of tilting the screen from -6° to +9°



Cable management system



Includes 4 locked castors



## TECHNICAL SPECIFICATIONS

Product dimensions	W: 695 mm D: 1142 mm H: 1771 mm (W:27,36" D:44,96" H:69,72)
Product weight	28 kg (62 lb)
Max. distance from the floor to the center of the screen	1745 mm (68,70)
Min. distance from the floor to the center of the screen	360 mm (14,17)
Max. mounting pattern	750 mm x 460 mm
Min. mounting pattern	50 mm x 95 mm

## LOGISTICS DATA

SAP INDEX	EAN CODE	COLOUR	PACKAGE DIMENSIONS	PACKAGE WEIGHT
WWTR-TR5c-B	5908252961412	BLACK	1750 x 785 x 275 mm 68,90 x 30,91 x 10,83"	32 kg 71 lb

HS Code (Harmonized System): 732690, HTS Code (Harmonized Tariff Schedule): 7326909890, Country of Origin: Poland

## ACCESSORIES AND RELATED PRODUCTS



CH4/CH5



TRS4



TR51



TR1