

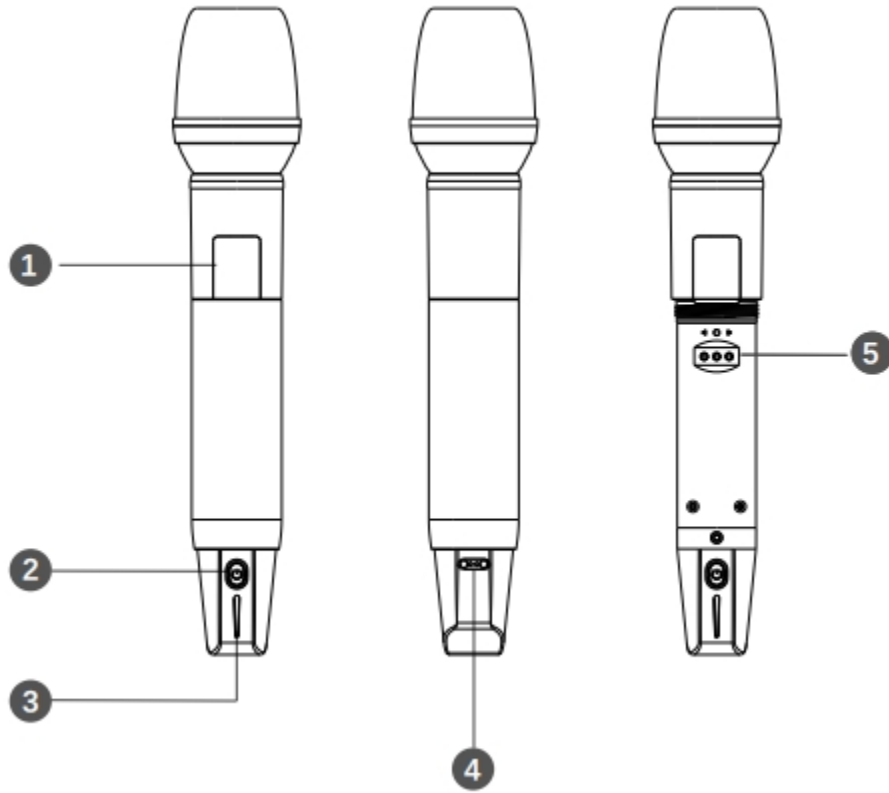
UN Manual for headset and handheld microphones 1.3



Handheld Microphone Introduction



- Broadband dynamic microphone element for clear, bright sound with high sensitivity; optional large-diaphragm condenser capsule available.
- 0.66" HD LCD screen displays battery level, signal strength, operating status, channel, and unit ID.
- Digital RF technology for audio and control signal transmission.
- Enables automatic camera tracking when used with a tracking host and PC presets.
- Anti-RFI microphone element ensures stable and reliable connectivity.
- Ultra-low power circuit with built-in high-capacity 18650 battery.
- Includes dedicated charging cradle for easy charging.
- Supports networked audio transmission with the main unit for audio signal interconnection.
- Each conference unit has a unique serial number; IDs can be auto-assigned by the system.



- ① 0.66" HD LCD screen displays real-time operating status of the unit.
- ② Speech button: short press to turn the microphone on/off; long press to power the unit on/off.
- ③ Microphone operating indicator.
- ④ Magnetic charging port: supports magnetic charging cable or charging cradle, up to 5V 2A fast charging.
- ⑤ Microphone function buttons: left and right buttons adjust volume (“-”, “+”); long press the center button to assign an ID.

Handheld Microphone technical parameters

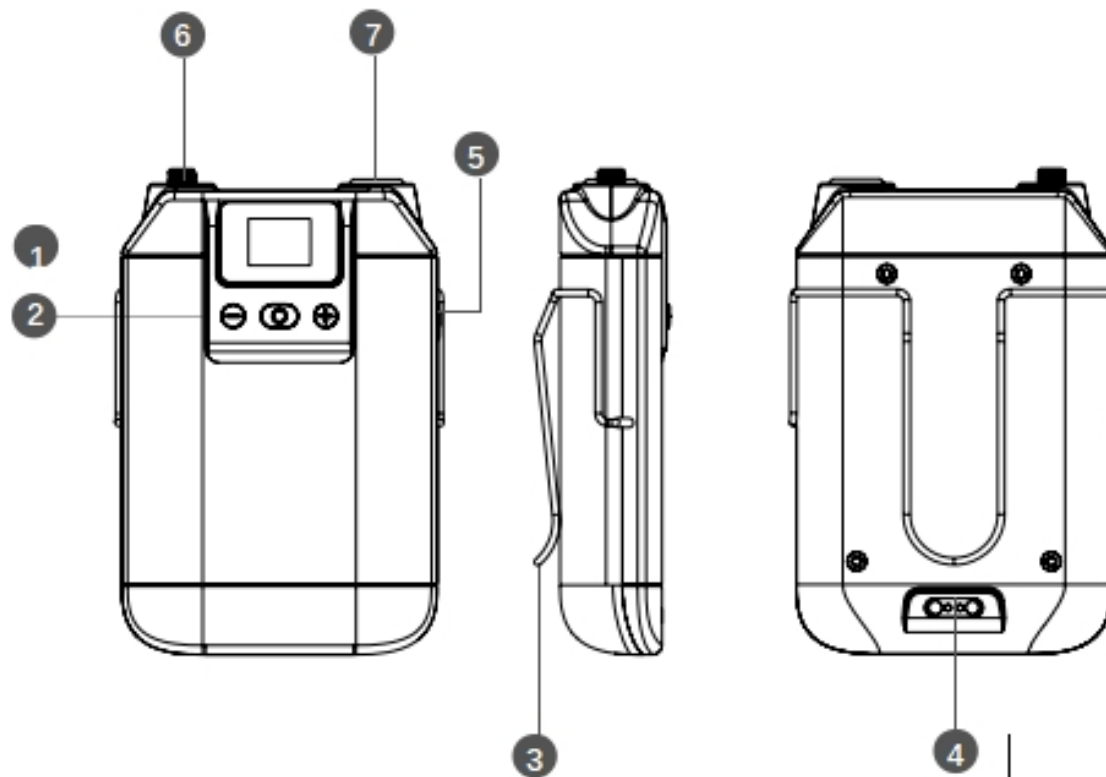
Harmonic radiation:	< -65dBm
Frequency bandwidth:	30MHz
Maximum offset:	±45KHz
sensor:	Dynamic and large-capacitor microphone cores (optional)
RF power output:	15mW
Switching method:	Mechanical switch
Battery capacity:	2500mAH
Speaking time:	17 h
Standby time:	50 h
Charging current:	DC 5V 2A
Charging port:	Magnetic contacts
Dimensions:	51*258mm
Weight:	380g

Headset Microphone Introduction



- Compatible with lavalier or head-worn microphones.
- 0.66" HD LCD screen displays battery level, signal strength, operating status, channel, and unit ID.
- Digital RF technology for audio and control signal transmission.
- Enables automatic camera tracking when used with a tracking host and PC presets.
- Ultra-low power circuit with built-in high-capacity lithium battery.
- Includes dedicated charging cradle for easy charging.
- Supports networked audio transmission with the main unit for audio signal interconnection.
- Each conference unit has a unique serial number; IDs can be auto-assigned by the system.

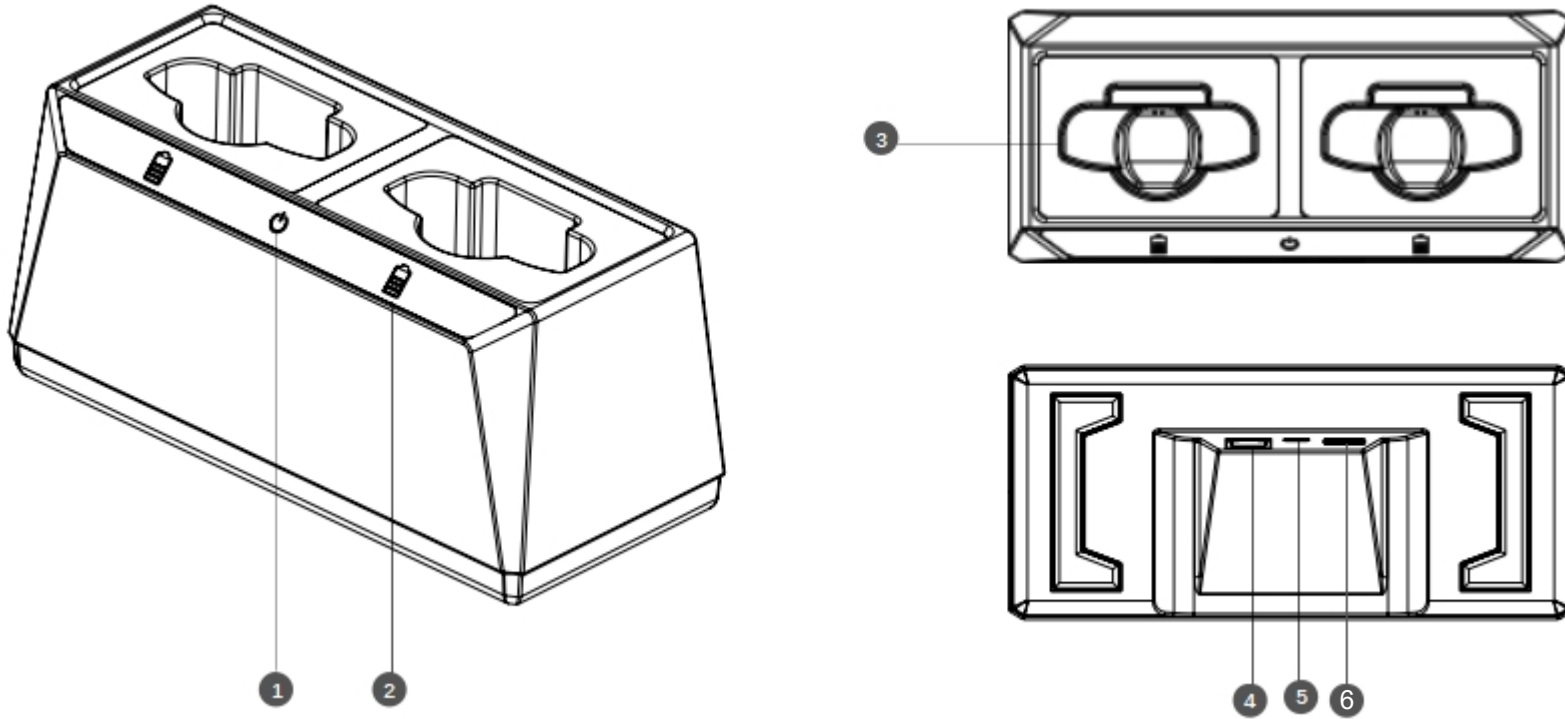
- ① 0.66-inch HD LCD screen displays the real-time operating status of the unit.
- ② Microphone function buttons: left and right buttons adjust volume (“-”, “+”); long press the center button to assign an ID.
- ③ Metal wire clip for secure fixing.
- ④ Magnetic charging port: supports magnetic charging cable or charging cradle, up to 5V 2A fast charging.
- ⑤ Speech button: short press to turn the microphone on/off; long press to power the unit on/off.
- ⑥ Audio antenna connector: transmits audio data when connected to an antenna.
- ⑦ Earphone/headset connector: allows audio output when a microphone is connected.



Headset Microphonetechnical parameters

Harmonic radiation:	< -65dBm
Frequency bandwidth:	50MHz
Maximum offset:	±45KHz
RF power output:	15mW
Switching method:	Mechanical switch
Battery capacity:	2500mAH
Microphone type:	Condenser microphone (headset or lavalier options)
Sensitivity:	5 millivolts/pa
Radio mode:	Omnidirectional
Max sound pressure level:	142 dB sound pressure level
Speaking time:	15h
Standby time:	40h
Charging current:	DC 5V 2A
Charging port:	Magnetic contacts
Dimensions:	102*68*22mm
Weight:	120g

Charging dock introduction



- ① Power Indicator– The green power indicator automatically lights up when the device is powered on.
- ② Battery Indicator – While the speech unit is charging, the corresponding battery indicator flashes to show the current battery level. When all four indicators remain steadily lit, the device is fully charged.
- ③ Charging Compartment – Place the speech unit into the charging compartment to start charging. It features two compartments, allowing two speech units to charge simultaneously.
- ④ RJ45 Port
- ⑤ USB Port– For power input, supports DC 5V input.

Charging dock technical parameters

Input voltage:	DC 5V 3A
Standby power:	0.1W
Maximum power:	15W
Charger maximum output:	DC 4.2V 2A
Charging time:	4 h
Operating temperature:	0 ~40°C
size:	200*95*90mm