



# i3TOUCH ES Simply Interactive.

### Affordable

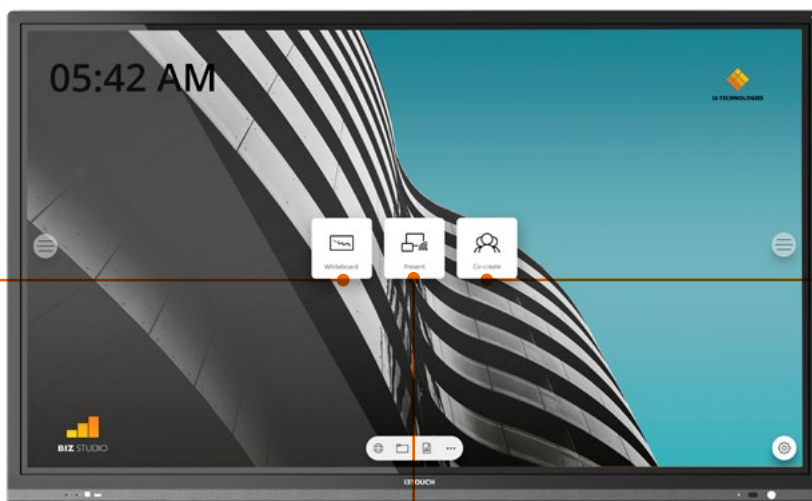
Are you looking for a budget friendly quality display? The i3TOUCH ES series is what you are looking for. With its Intuitive interface, whiteboarding, wireless sharing, annotating, Windows Ink and browsing features, it has all the basics you need.

### Natural writing

Enjoy a perfect touch and viewing experience. Thanks to the soft writing pen, we were able to achieve a pen-to-paper feeling.

### Jot down ideas, share with everyone

Create, capture and share your ideas or notes in the integrated whiteboard solution. Share your notes instantly via email, USB or QR code.



Available with



### Co-create / Learnhub

BIZ studio users can access campfire, and EDU studio users have quick access to i3Learnhub.

### Present wirelessly from any device

No more need for additional hardware. Present your screen wirelessly from any device on the i3TOUCH ES. All you need is the free app.



### Share instantly with no effort

Share your screen wirelessly with the i3ALLSYNC app or new i3ALLSYNC hardware transmitter.



### Built to last

We crafted the i3TOUCH ES from the finest materials. The slim bezel and aluminum accents along with the sturdy craftsmanship create a pleasing aesthetic.



### High precision IR

The i3TOUCH ES includes an improved IR technology with a more precise and accurate touch, up to 30% more accurate than regular IR, and improved object recognition.



### Excellent touch experience

A natural writing experience is one of our top priorities. Thanks to the soft writing pen, we were able to achieve a pen-to-paper feeling.



### Stunning 4K, anti-glare display

Enjoy content in hyperdetailed 4K quality. Thanks to the anti-glare glass the content on the screen is always visible for everyone.



### Security

Rest assured of advanced security with the MStar chipset.

**PRODUCT INFORMATION**
**75"**
**86"**
**98"**

Model name	i3TOUCH ES75	i3TOUCH ES86	i3TOUCH ES98
Product series	i3TOUCH ES - Interactive Flat Panel Displays		

**DISPLAY SPECIFICATIONS**

Display technology	Liquid Crystal Display (LCD) with DirectLED lighting		
Panel Type	IPS-ADS		
Panel active screen area	1649.66 x 927.94 mm (64.95"x36.53")	1895.04 x 1065.96 mm (74.61"x41.97")	2158.85 x 1214.35mm (84.99' x 47.81')
Display aspect ratio	16:9		
Display native resolution	3840 x 2160 pixels - 4K Ultra High Definition		
Brightness (typical)	400 cd/m <sup>2</sup>	450 cd/m <sup>2</sup>	460 cd/m <sup>2</sup>
Contrast ratio (typical)	1200:1		
Dynamic contrast ratio	4000:1		
Response time (typ.)	8 ms		
Pixel pitch	0.429 x 0.429 mm	0.4935 x 0.4935 mm	0.5622 x 0.5622 mm
Refresh rate	60 Hz (@ UHD)		
Viewing angle	178° / 178°		
Panel MTBF	50,000 hours (min)		
Color gamut	68% NTSC	70% NTSC	
Colour depth	1.07 billion colors (10 bit)		
Glass	3.2 mm Hardened Anti-Reflection Safety Glass (MOHS 7)		4.0 mm Hardened Anti-Reflection Safety Glass (MOHS 7)
Integrated loudspeakers	2 x 15 Watt		
Touchpoints	20		

**CONNECTIVITY**

Digital audio-video inputs	3x HDMI 2.0 + 1x DisplayPort 1.2
Digital audio-video output	1x HDMI 2.0
Analogue audio-video input	1x VGA (DB-19) + audio jack (3.5 mm TRS connector) 1x AV input
Analogue audio-video output	1x AV output
Analogue video input	1x YPbPr
Analogue audio output	1x audio jack (3.5 mm TRS connector)
Digital audio output	1x S/PDIF Optical
USB data ports	2x USB 2.0 (Android only) 2x USB 2.0 (switching via touch output)
Integrated PC slot	1x OPS-PC slot (JAE TX24 connector) UHD @ 60Hz
Control input	1x COM DE-9 (RS-232 standard)
Network	2x LAN: RJ-45 connector (100 Mbit/sec)
Control input	1x COM DE-9 (RS-232 standard)
Network	LAN: RJ-45 connector (100 Mbit/sec) Wi-Fi: 2.4 / 5 GHz (802.11 a/b/g/n/ac)

**OPERATIONAL FEATURES**

Operating System	Android 8 Oreo
	CPU : ARM A73 +A53
	Clock speed : 1.5 GHz
	Cores : 4
Architecture	GPU : Mali G51
	RAM : 3 GB DDR4
	ROM : 32 GB
	Chipset : MSD8386
	Technology: V-Sense Infrared Touch recognition
	Resolution : 32768 x 32768
Interactive touch	Accuracy : 1 mm
	Response time : < 10 ms
	Connection : 2x USB-B 2.0
	Connection protocol: HID (Human Interface Device)

Supported Compatibility	Windows, Android, Macintosh OS X, Linux, Chrome OS
Maximum operating hours	18 hours / day

PHYSICAL PROPERTIES	75"	86"	98"
Product dimensions	1742x1061x104mm	1996x1207x112mm	2245x1341x109mm
Net product weight	53,70kg	64,85kg	113kg
Packaging size	1860x280x1170mm	2211x280x1370mm	2525x1750x435mm
Packaged weight	72,00kg	96,45kg	165kg
Mounting pattern	VESA 600x400 (M8)	VESA 700x400 (M8)	VESA 800x600 (M8)
Color	Black front bezel, black back cabinet		

WARRANTY	
Standard warranty	3 years
Extended warranty (optional)	for education entities: 5 years (upon registration)
	for corporate entities: 5 or 7 years (purchasable)

ACCESSORIES	
Included	User Manual, Remote Control, Power Supply Cord, HDMI Cable, USB cable, 2x passive stylus, Wall Mount
Optional	USB WiFi dongle

REGULATORY INFORMATION	
Product type approval	CE, FCC

SOFTWARE FEATURES	
User Interface	EDU/BIZ Studio
Whiteboarding Software	i3NOTES Whiteboarding
Annotation Software	i3OVERLAY Annotation
Screencasting Software	i3ALLSYNC Wireless Presenting

ELECTRICAL PROPERTIES			
Power voltage	100 ~ 240 Volt - 50/60 Hz		
Power consumption	200 Watt	243 Watt	360 Watt

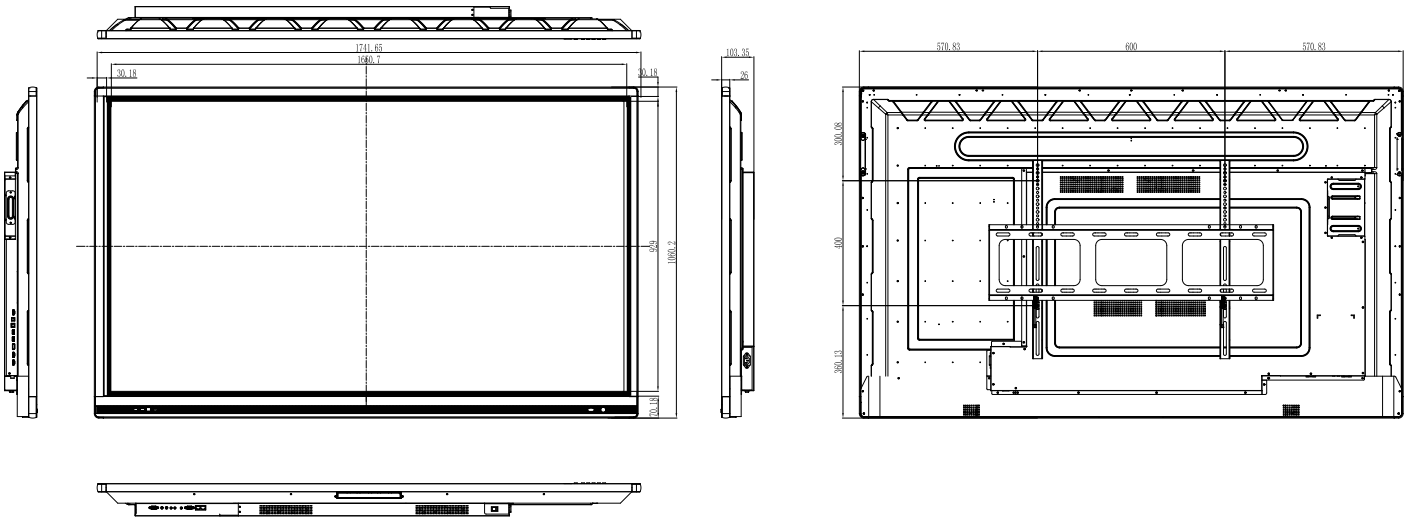
ENVIRONMENTAL CONDITIONS	
Operating temperature	0° C to 40° C
Operating humidity	10% to 90% RH non-condensing
Storage temperature	-20° C to 40° C
Storage humidity	10% to 90% RH non-condensing
Maximum operational altitude	5,000 meters

i3ALLSYNC REQUIREMENTS			
Client laptop and mobile device requirements			
	Laptops & Tablet PCs	iPads, iPhones & iPods	Android Tablets & Phones
Operating System	Windows 10 or newer OSX 10.10 or newer	iOS version 8.0 or newer	Android 6.0 or newer
Minimum Required	Intel Core 2Duo , 2.3Ghz, 2GB RAM, Equivalent specification to AMD's CPU	iPad 3 / iPhone 5 or newer	Phones/Tablets with Android 6.0 or newer

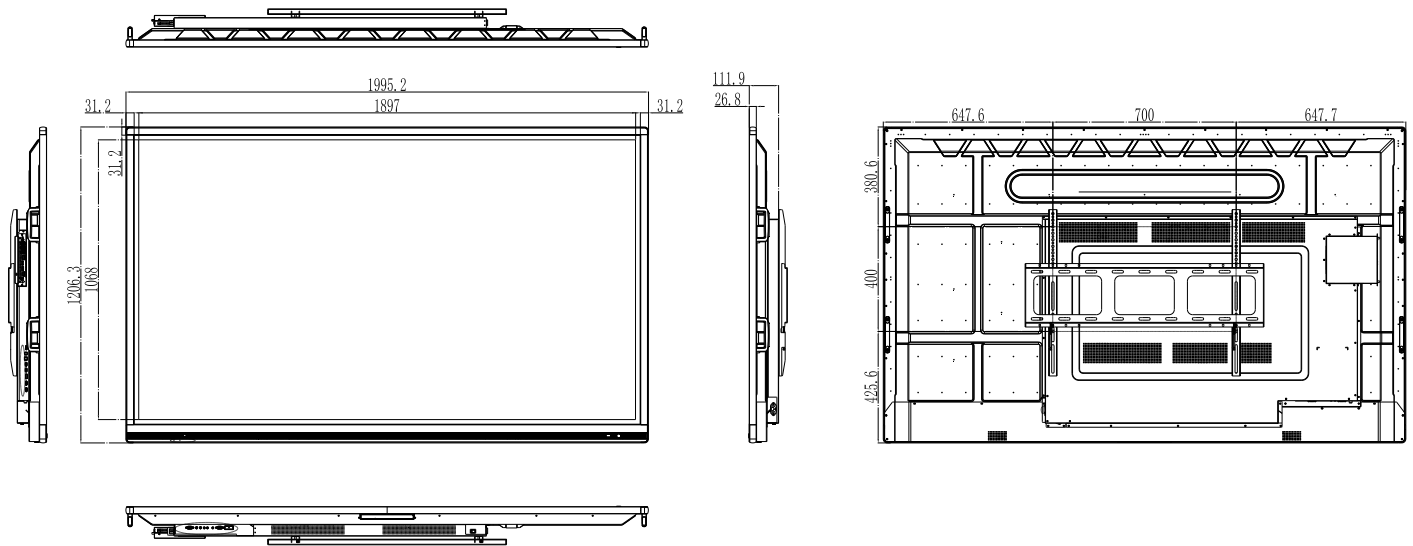
NETWORK REQUIREMENTS	
Network and wInternet Access	When i3ALLSYNC is deployed into the existing network , the host (receiver) and the clients require wired or wireless network connection with a minimum bandwidth of 20 Mbps. When running HD content, increase the minimum bandwidth to 50 Mbps. Like any network application, the overall performance is dependent on available bandwidth. Internet access is also required to update the i3ALLSYNC receiver app.

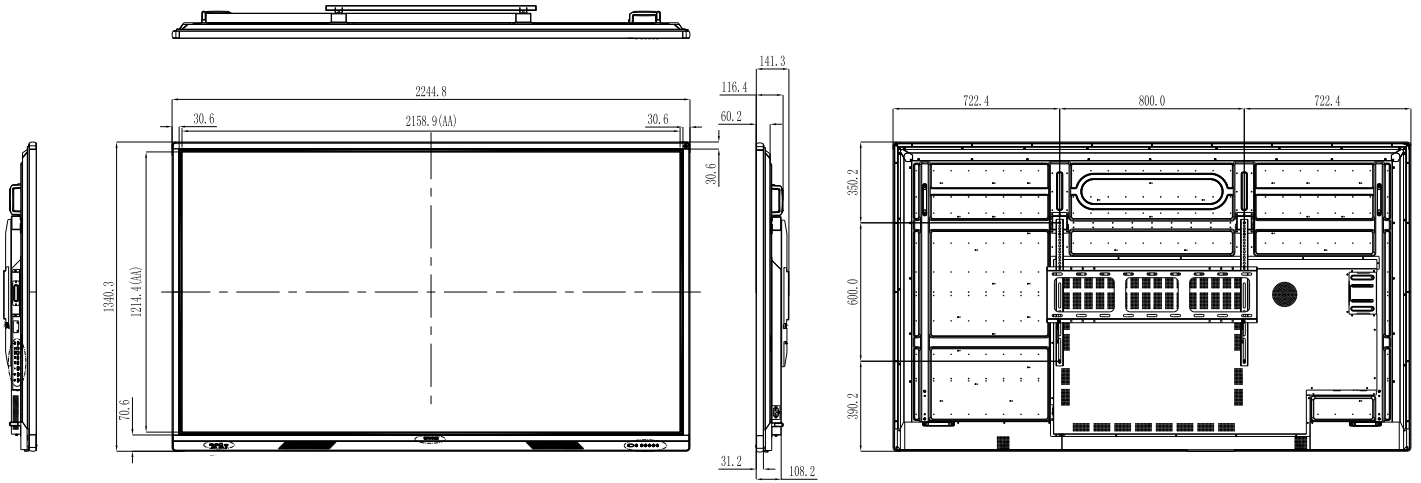
FUNCTIONALITY	
- Screen mirroring from any device (with minimum requirements)	- Support up to 6 split-screen mirroring
- FHD resolution	- Support AirPlay, and Google Cast
- Wireless touch function on Windows & MAC OS.	- i3ALLSYNC app available in the Apple store, Play store and on i3-allsync.com.
	- i3ANNOTATE on all images and save your content in i3NOTES Whiteboard

75"



86"





Wall mount

